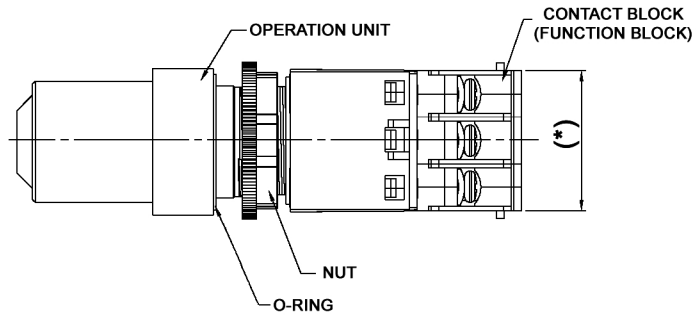


ACTUATOR

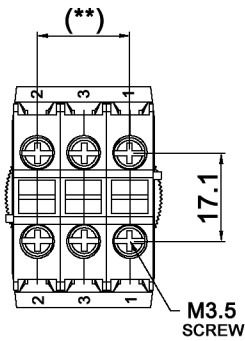


OPERATION UNIT

CONTACT BLOCK (FUNCTION BLOCK)

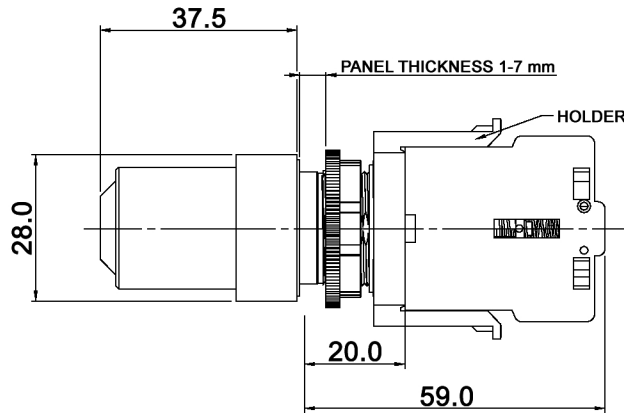
NUT

O-RING



(**)

M3.5 SCREW



37.5

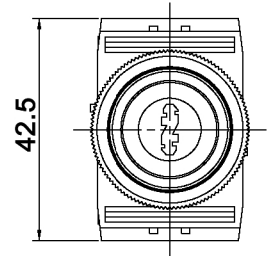
PANEL THICKNESS 1-7 mm

HOLDER

28.0

20.0

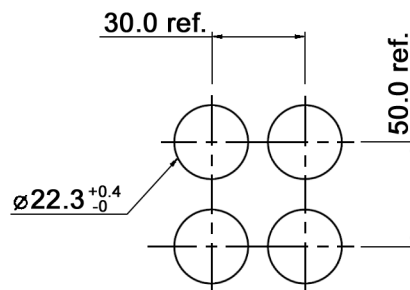
59.0



42.5

(*) 27.5 for 3 contact blocks; 45.8 for 5 contact blocks
 (**) 18.2 for 3 contact blocks; 36.4 for 5 contact blocks

PANEL CUT-OUT



30.0 ref.

50.0 ref.

$\varnothing 22.3^{+0.4}_{-0}$

| c | Actuator color |
|---|----------------|
| W | white |
| R | red |
| Y | yellow |
| G | green |
| B | blue |

| p | Operation | type | angle |
|---|---------------------------------------|------|-------|
| 1 | 2-position | | 90° |
| 2 | 3-position | | 45° |
| 3 | 3-position spring return from right | | 45° |
| 4 | 2-position spring return from right | | 90° |
| 5 | 3-position spring return from two-way | | 45° |

Compliance: RohS III (2015/863/EU)

| | | | |
|---------------|---------------|-------|------|
| Tolerances: | 0-1: ±0.1mm | Date | Name |
| | 1-4: ±0.3mm | 03/18 | dr |
| | 4-16: ±0.5mm | | |
| | 16-63: ±0.8mm | | |
| Panel design | 10/23 | dr | |
| Modifications | Date | Name | |

ICE22RKpc-xx20-Lxxx
 Key Selector Switch

knitter-switch

30 40 23

Page

1/2

Specifications:

Utilization category: AC-15; A600; 3 A at 240 V; 1.9 A at 380 V
 DC-13; P600; 0.55 A at 250 V

Rated thermal current: 10 A

Rated insulation voltage: 650 V

Minimum load: 3 V, 5 mA

Contact resistance: 50 mOhm max.

Insulation resistance: >100 MOhm at 500 V DC

Dielectric strength: 2500 V , 50 Hz for the duration of 1 minute

Operating temperature: illuminated components: -25°C to +55°C
 other: -25°C to +70°C

Storage temperature: -40°C to +85°C

Operation / storage humidity: 45 to 85 % RH

Ingress protection: IP65 from front

Contamination class: 3

Vibration resistance: 10 - 55 Hz, 0.5 mm

Shock resistance: 10 G (Malfunction), 100 G (Destruction)

Mechanical life: 500k cycles

Electrical life: 500k cycles

Operation force (for ref. only): 0.2 to 0.6 Nm

Contact design: positive break for NC contacts

Number of contact blocks per unit: 5 max.

Referenced safety standards: UL508, CSA 22.2 No. 4, EN60947-5-1, EN60947-5-5

| Lxxx | LED | xx | Contacts |
|------|-------------------|-------|------------|
| L6R | red, 6V AC/DC | 10 | 1 NO |
| L12R | red, 12V AC/DC | 01 | 1 NC |
| L24R | red, 24V AC/DC | 11 | 1 NC, 1 NO |
| LA1R | red, 110V AC | 20 | 2 NO |
| LA2R | red, 220V AC | 21 | 2 NO, 1 NC |
| L6B | blue, 6V AC/DC | etc. | etc. |
| L12B | blue, 12V AC/DC | until | until |
| L24B | blue, 24V AC/DC | 41 | 4 NO, 1 NC |
| LA1B | blue, 110V AC | 14 | 1 NO, 4 NC |
| LA2B | blue, 220V AC | | |
| L6W | white, 6V AC/DC | | |
| L12W | white, 12V AC/DC | | |
| L24W | white, 24V AC/DC | | |
| LA1W | white, 110V AC | | |
| LA2W | white, 220V AC | | |
| L6Y | yellow, 6V AC/DC | | |
| L12Y | yellow, 12V AC/DC | | |
| L24Y | yellow, 24V AC/DC | | |
| LA1Y | yellow, 110V AC | | |
| LA2Y | yellow, 220V AC | | |
| L6G | green, 6V AC/DC | | |
| L12G | green, 12V AC/DC | | |
| L24G | green, 24V AC/DC | | |
| LA1G | green, 110V AC | | |
| LA2G | green, 220V AC | | |

NOTE:
 FOR MOMENTARY SWITCHES, THE TOTAL OF NO AND NC IS LIMITED TO 5 MAX.
 FOR LATCHING SWITCHES, THE TOTAL OF NO AND NC IS LIMITED TO 4 MAX.

Compliance: RohS III (2015/863/EU)

| | | | | | |
|--|-------|------|--|-----------------|------|
| Tolerances: 0-1: ±0.1mm 1-4: ±0.3mm 4-16: ±0.5mm 16-63: ±0.8mm | Date | Name | ICE22RKpc-xx20-Lxxx Key Selector Switch | 30 40 23 | Page |
| | 03/18 | dr | | | 2/2 |
| | | | knitter-switch | | |
| Panel design | 10/23 | dr | | | |
| Modifications | Date | Name | | | |